



# ▶ Universal Screen Separator KUT

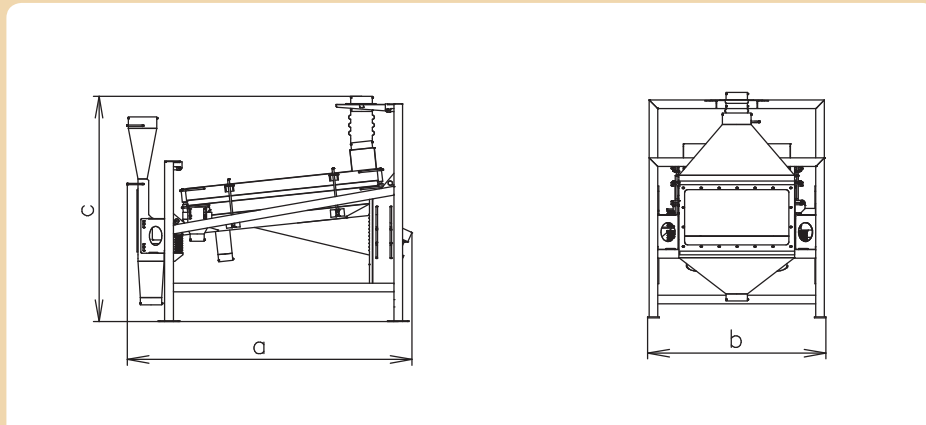
Universal screen separators KUT are designed especially for removal of impurities from cleaned material by the pair of sieves and by air. They are mainly used for post-harvest cleaning and pre-cleaning of grain and other crops.

A pair of sieves ensures the removal of all impurities on the base of size difference. Sieves are cleaned by flexible balls. The vibrations are created by a pair of motors. The screen box is supported on springs. Following aspiration of light impurities removes especially grain husks, dust and other light impurities. It is necessary to exhaust air from aspiration channel and clean it. Air fan and cyclone separator are supplied as accessory. Simple construction predestinates this machine for post-harvest cleaning and pre-cleaning of grain and other crops, especially for smaller farms and for special purposes of sorting and sieving.

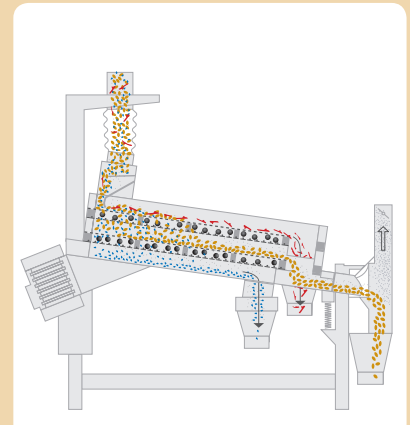
Universal screen separator KUT is a machine which can clean all kinds of grain and other crops such as poppy seed, buckwheat, corn, beans, as well as dried herbs, spices, tobacco, salt, depending on kind of used sieves. It is suitable for all cases of sieving and sorting, where sorted material is often changed. It is possible to perfectly clean all parts which come into contact with the sorted material. A set of sieves (2 pieces) is part of delivery, the size of screens is recommended by the manufacturer acc. to type of sorted material, output and purpose.



Universal Screen Separator KUT



Dimensional Scheme



Functional Diagram

### Advantages:

- High performance at small dimensions
- Low-cost operation (low power consumption)
- Minimal maintenance requirement (no lubrication needed)
- Easy operation, easy installation and commissioning
- Easy cleaning of the whole machine
- Easy and quick changing of sieves
- Modular sturdy construction
- Sturdy sieves with simply and efficient cleaning by flexible balls

Type of Machine			KUT 800	KUT 500	KUT 300
Parameter	Units				
Main Dimensions	Délka (a)	mm	1 970	1 530	1 170
	Length (a)	mm	1 240	920	720
	Width (b)	mm	1 560	1 300	1 480
Capacity *	Pre-cleaning	mm	15	6	1,5
	Industrial Cleaning	t/h	10	4	1
	Fine Cleaning	t/h	5	2	0,5
Power Input	kW		0,5	0,3	0,3
Weight	kg		350	220	140
Screen Area	m <sup>2</sup>		1,9	0,8	0,3

\* Capacity data are valid for wheat bulk weight 750 kg/m<sup>3</sup>, moisture max. 16%. Output of machine depends on the moisture, content of impurities, raw material quality and machine settings.

Technical alteration reserved.

- ### Applications:
- Grain cleaning and pre-cleaning in agriculture (post-harvest lines)
  - Cleaner of seed for sowing
  - Sorting of different products in food processing lines
  - Sorting and removal of impurities in industrial lines
  - Alternative solution for PVT separators for lower capacity and minimum space available

Standard 98-99% cleanness is achieved with the final product. For details about capacity for cleaning other products, please contact the manufacturer.